



ASTROPHYSICS™

TOMORROW'S TECHNOLOGY FOR TODAY'S SECURITY



XIS-6040

Flexible System Design

Checkpoint Security: Small Baggage and Parcel Inspection



TRANSPORTATION

Airport entrances and perimeters, air cargo, and checkpoint technology.



PORTS & BORDERS

Border control, sea ports, and other large cargo sectors.



CRITICAL INFRASTRUCTURE

Access control for prisons, courthouses, mailrooms, hotel entrances and military bases.

The XIS-6040 X-Ray Inspection System features a tunnel opening of 60 cm x 40 cm (23.6" x 15.7"). The XIS-6040 offers a compact design with increased dimensions for a wider range of placement and expanded screening capability. The XIS-6040 is ideal for both small parcel and checkpoint screening.

The XIS-6040 has been placed at hotels, prisons, government sites and transportation hubs. With its small frame, the XIS-6040 maintains high mobility, but with a wider tunnel size for varied application.

With a powerful 160kV generator, the XIS-6040 provides crisp, high resolution images due to its advanced software and superior processing technology.

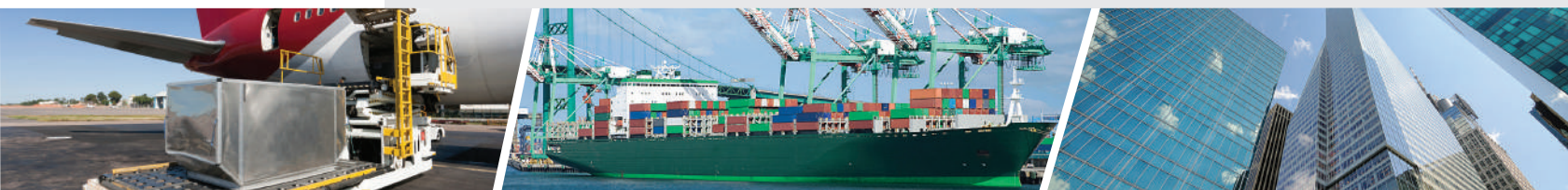
All Astrophysics X-ray Inspection Systems are equipped with Real-Time Diagnostics, a unique Astrophysics feature which allows users to monitor system health. This software was specifically engineered to save you valuable time and money. If requested, Astrophysics would also be able to connect to your system and troubleshoot any issues remotely.

An exclusive Astrophysics option is our 6 Color Imaging, which enables operators to view screened objects in 6 colors, each color correlating to a specific range of Atomic Z-Numbers. 6 Color Imaging enables operators to achieve optimal material identification which improves throughputs.

Astrophysics is committed to providing quality products and services nationwide. We listen to our customers and offer customizations and order flexibility based on their needs.

Backed by a team of engineers from our City of Industry, California center of excellence headquarters, Astrophysics designs cutting-edge X-ray screening technology for detecting weapons and contraband for transportation, ports, borders, critical infrastructure and other industries that present security risks.

Astrophysics is headquartered in the United States and maintains a global presence with service delivery worldwide. Astrophysics is committed to global safety and is proud to present this new age of screening security—driving the industry into the technology of tomorrow.





GENERAL SPECIFICATIONS

- Tunnel Opening: 60 cm x 40 cm
(W x H) 23.6" x 15.7"
- Dimensions: 142 cm x 84.9 cm x 125.5 cm
(L x W x H) 56" x 33" x 49"
- Shipping Dimensions: 152.4 cm x 96.5 cm x 154.9 cm
(L x W x H)² 60" x 38" x 61"
- Net Weight²: 370 kg (820 lbs)
- Shipping Weight²: 490 kg 1075 lbs
- Conveyor Speed: 23 cm/s (45 ft/min) Forward or Reverse
- Conveyor Height: 72.5 cm (28.5") from Floor
- Conveyor Capacity: 165 kg (360 lbs) Evenly Distributed Load

TECHNICAL

- Sensitivity: 40 AWG Typical, 38 AWG Standard
- Spatial Resolution: 1.0 mm Horizontal, 1.0 mm Vertical
- Steel Penetration: 39 mm Typical, 37 mm Standard
- Contrast Sensitivity: 24 Visible Levels, 4096 Gray Level
- Film Safety: Guaranteed up to ISO 1600 (33 DIN)

X-RAY GENERATOR

- Voltage: 160kV, Operating at 150kV
- Tube Current: 0.7 mA
- Cooling: Sealed Di-Electric Oil Bath with Forced Air
- Duty Cycle: 100%, No Warm-Up Procedure Required
- Beam Direction: Diagonally Upward
- Detector: 1152 Channels in an L-Shaped Array

COMPUTER

- Processor: Intel® Core i5, 3.1 GHz, 6MB cache
- Memory: 4 GB RAM at 1333 MHz
- Storage: 500 GB HDD
- Video Card: 1 GB Video Card, Dual Digital Display
- Platform: Windows® OS
- Backup: Uninterruptible Power Supply (Computer Operation- 20min)

VIDEO

- Display Type: Single 19" LCD Color Monitor
- Display Resolution: 1280 x 1024; 24 Bit/Pixel Color

ENVIRONMENTAL

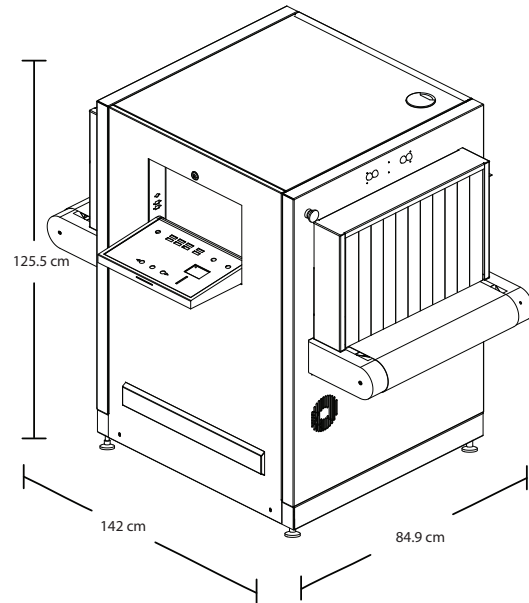
- Operating Temperature: 0°C - 40°C \ 32°F - 104°F
- Storage Temperature: -20°C - 60°C \ -4°F - 140°F
- Humidity: Up To 95% Non-Condensing

ELECTRICAL

- Power Requirements: 110VAC ±10%, 50/60Hz, 15 Amp Max
220VAC ±10%, 50/60Hz, 10 Amp Max

HEALTH AND SAFETY

- Compliant with USFDA, Center for Devices and Radiation Health Standards for Cabinet X-Ray Systems (21-CFR 1020.40)
- Typical Radiation leakage is less than 0.1 mR/hr (Leakage less than 0.5 mR/hr permitted by the Federal Standard)



STANDARD FEATURES

- 6 Color Imaging
- 9 Quadrant Zoom
- Atomic Z-Number Measurement
- Auto Image Archiving (150,000)
- Baggage Counter
- Color and Black/ White Imaging
- Continuous Scanning
- Continuous Zoom up to 64x
- Vertical Zoom Panning
- Geometric Image Distortion Correction
- High Penetration Function
- Heavy Duty Roller Casters
- Image Annotation
- Image Review
- Manual Bitmap Archive
- Material Discrimination
- Multi-Tier Accessibility
- Network Ready
- Organic/ Inorganic Imaging
- Operator Training
- Picture Perfect
- Print Image Capable
- Pseudo Color
- Real-Time Image Manipulation
- Real-Time Self Diagnostics
- Reverse Monochrome

OPTIONAL FEATURES³

- 24" LCD Monitor
- Computer Based Training (CBT)
- Custom Paint
- Density Alert
- Dual Monitors (19" LCD or 24" LCD)
- Entry / Exit Roller Tables (50 cm Increments)
- Footmat Operator Interlock
- Larger Heavy Duty Casters
- Local Language Support
- Polar Kit
- Radiation Meter
- Remote Workstation Configuration
- Screener Assist Software
- Test Case
- Threat Image Projection (TIP) Software
- Tropical Kit
- Wireless Barcode Scanning



¹ As tested on Astrophysics Inc. Test Piece.

² Weight of the system may vary depending on customization.

³ Optional Features may affect lead time, price, and weight of XIS-6040. Please contact your Astrophysics Sales Representative for more information.

Due to continued product research and development, Astrophysics Inc. reserves the right to amend all technical specifications without prior notice.