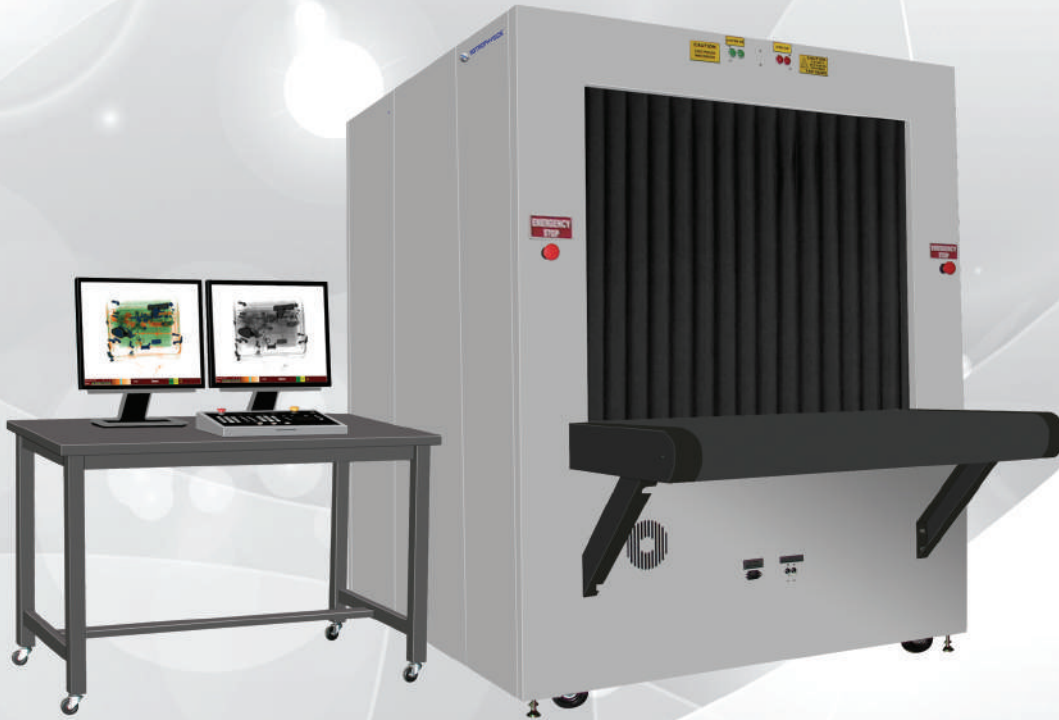




ASTROPHYSICS™

TOMORROW'S TECHNOLOGY FOR TODAY'S SECURITY



XIS-1080

Limited System Profile Large Baggage and Parcel Inspection



TRANSPORTATION

*Airport entrances and perimeters,
air cargo, and checkpoint technology.*



PORTS & BORDERS

*Border control, sea ports, and
other large cargo sectors.*



CRITICAL INFRASTRUCTURE

*Access control for prisons, courthouses,
mailrooms, hotel entrances and
military bases.*

The XIS-1080 is a mid-size X-Ray Inspection System with a tunnel opening of 101.6 cm x 81.4 cm (40" x 32"). The XIS-1080 is designed for screening standard and oversized baggage, dolly-sized crates and larger scale objects.

The XIS-1080 is the ideal system to screen larger capacity objects while also retaining a limited system size. With a heavy duty conveyor belt, the system can support an unprecedented weight of 200 kg (440 lbs) at any given time, thus allowing for heavier object screening.

Ultimately, the XIS-1080 is your secure screening solution for high-congestion sites with limited space, and crucial mid-sized screening needs.

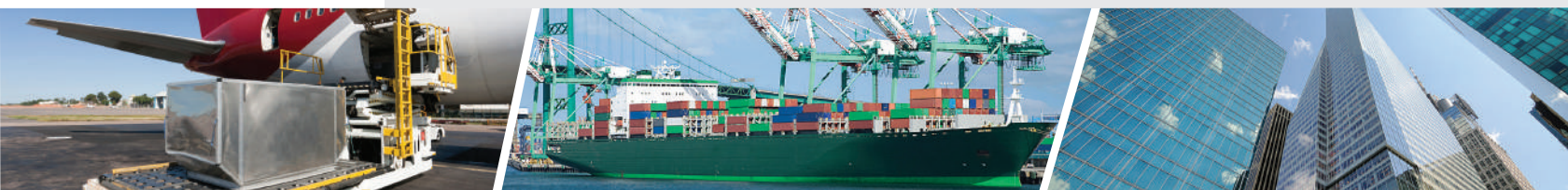
All Astrophysics X-ray Inspection Systems are equipped with Real-Time Diagnostics, a unique Astrophysics feature which allows users to monitor system health. This software was specifically engineered to save you valuable time and money. If requested, Astrophysics would also be able to connect to your system and troubleshoot any issues remotely.

An exclusive Astrophysics option is our 6 Color Imaging, which enables operators to view screened objects in 6 colors, each color correlating to a specific range of Atomic Z-Numbers. 6 Color Imaging enables operators to achieve optimal material identification which improves throughputs.

Astrophysics is committed to providing quality products and services nationwide. We listen to our customers and offer customizations and order flexibility based on their needs.

Backed by a team of engineers from our City of Industry, California center of excellence headquarters, Astrophysics designs cutting-edge X-ray screening technology for detecting weapons and contraband for transportation, ports, borders, critical infrastructure and other industries that present security risks.

Astrophysics is headquartered in the United States and maintains a global presence with service delivery worldwide. Astrophysics is committed to global safety and is proud to present this new age of screening security—driving the industry into the technology of tomorrow.





GENERAL SPECIFICATIONS

- Tunnel Opening: 101.6 cm x 81.4 cm
(W x H) 40" x 32"
- Dimensions: 257.4 cm x 137.2 cm x 170.6 cm
(L x W x H) 101.3" x 54" x 68"
- Shipping Dimensions: 297.2 cm x 147.3 cm x 224 cm
(L x W x H)² 117" x 58" x 88"
- Net Weight²: 900 kg (1980 lbs)
- Shipping Weight²: 1240 kg (2730 lbs)
- Conveyor Speed: 23 cm/s (45 ft/min) Forward or Reverse
- Conveyor Height: 70.6 cm (27.8") from Floor
- Conveyor Capacity: 200 kg (440 lbs) Evenly Distributed Load

TECHNICAL

- Wire Resolution: 40 AWG Typical, 38 AWG Standard
- Spatial Resolution: 1.0 mm Horizontal, 1.3 mm Vertical
- Steel Penetration: 39 mm Typical, 37 mm Standard
- Contrast Sensitivity: 24 Visible Levels, 4096 Gray Level
- Film Safety: Guaranteed up to ISO 1600 (33DIN)

X-RAY GENERATOR

- Voltage: 180kV, Operating at 165kV
- Tube Current: 1.2 mA
- Cooling: Sealed Di-Electric Oil Bath with Forced Air
- Duty Cycle: 100%, No Warm-Up Procedure Required
- Beam Direction: Diagonally Upward
- Detector: 2176 Channels in an L-Shaped Array

COMPUTER

- Processor: Intel® Core i5, 3.1 GHz, 6MB cache
- Memory: 4 GB RAM at 1333 MHz
- Storage: 500 GB HDD
- Video Card: 1 GB, Dual Digital Display
- Platform: Windows® OS
- Backup: Uninterruptible Power Supply
(Computer Operation - 20 Minute)

VIDEO

- Display Type: Dual 19" LCD Color Monitors
- Display Resolution: 1280 x 1024; 24 Bit/Pixel Color

ENVIRONMENTAL

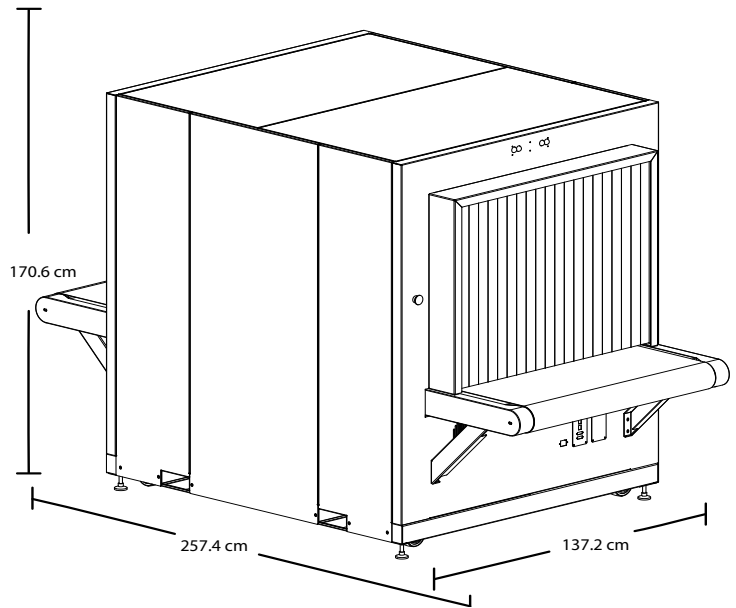
- Operating Temperature: 0°C - 40°C \ 32°F - 104°F
- Storage Temperature: -20°C - 60°C \ -4°F - 140°F
- Humidity: Up to 95% Non-Condensing

ELECTRICAL

- Power Requirements: 110VAC ± 10%, 50/60Hz, 15 Amp Max
220VAC ± 10%, 50/60Hz, 10 Amp Max

HEALTH AND SAFETY

- Compliant with USFDA, Center for Devices and Radiation Health Standards for Cabinet X-Ray Systems (21-CFR 1020.40)
- Typical radiation leakage is less than 0.1 mR/hr (Leakage less than 0.5 mR/hr permitted by the Federal Standard)



STANDARD FEATURES

- 6 Color Imaging
- 9 Quadrant Zoom
- Atomic Z-Number Measurement
- Auto Image Archiving (150,000)
- Baggage Counter
- Color and Black/ White Imaging
- Continuous Scanning
- Continuous Zoom up to 64x
- Vertical Zoom Panning
- Geometric Image Distortion Correction
- High Penetration Function
- Heavy Duty Roller Casters
- Image Annotation
- Image Review
- Manual Bitmap Archive
- Material Discrimination
- Multi-Tier Accessibility
- Network Ready
- Organic/ Inorganic Imaging
- Operator Training
- Picture Perfect
- Print Image Capable
- Pseudo Color
- Real-Time Image Manipulation
- Real-Time Self Diagnostics
- Reverse Monochrome

OPTIONAL FEATURES³

- 24" LCD Monitors
- Computer Based Training (CBT)
- Custom Paint
- Density Alert
- Entry/ Exit Roller Tables (50 cm Increments)
- Footmat Operator Interlock
- Larger Heavy Duty Casters
- Local Language Support
- Polar Kit
- Radiation Meter
- Remote Workstation Configuration
- Screener Assist Software
- Test Case
- Threat Image Protection (TIP) Software
- Tropical Kit
- Wireless Barcode Scanning



¹ As tested on Astrophysics Inc. Test Piece.

² Weight of the system may vary depending on customization.

³ Optional features may affect lead time price, and weight of XIS-1080. Please contact your Astrophysics Sales Representative for more information.

⁴ Maximum Values on ASTM F792 Test Piece.

Due to continued product research and development, Astrophysics Inc. reserves the right to amend all technical specifications without prior notice.