

ITS 3MP Parking-space Detection Camera



Features:

- > Unique dual-streaming insure high quality photo output and video output.
- > Advanced video compression technology, high compression rate, accurate and stable bit stream control
- > Support DC12V power supply, POE.
- > Support indicator light output control, 7 colors optional.
- > Support number plate recognition.

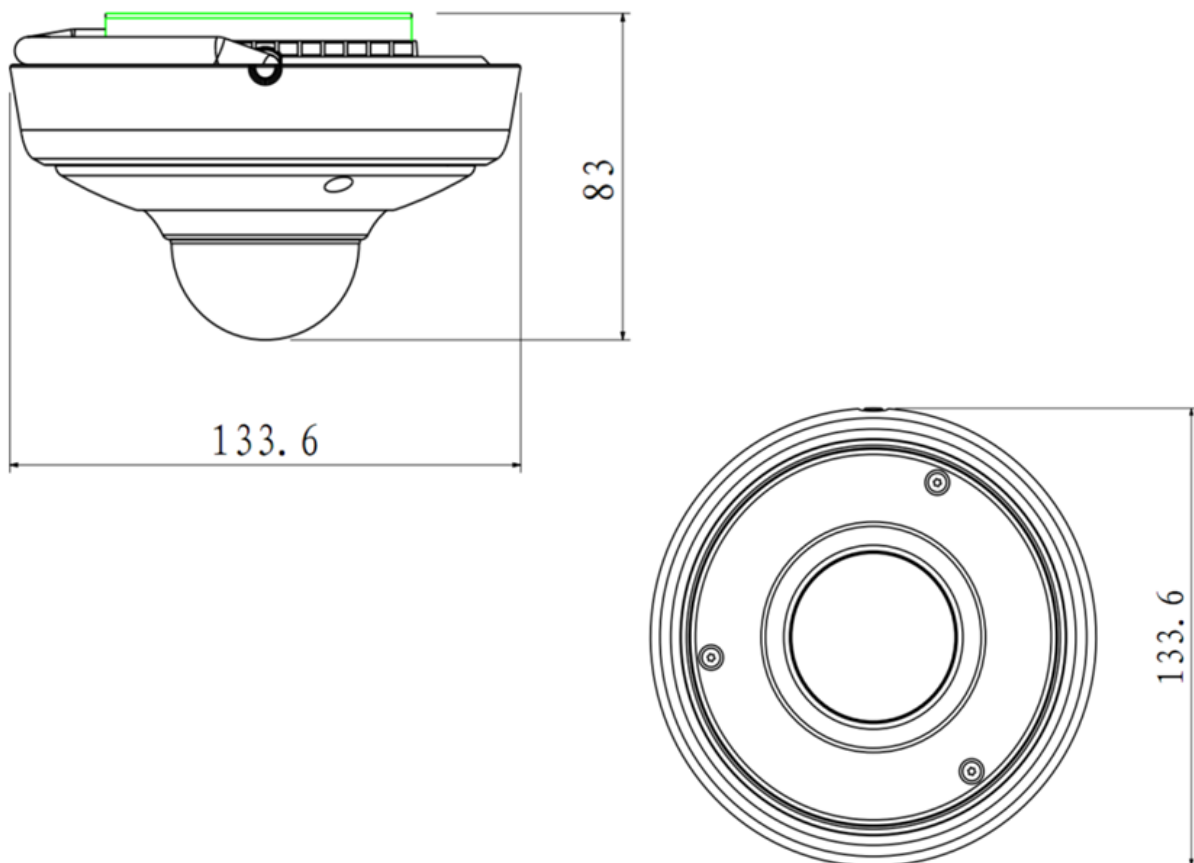
Specifications

Model		ITC304-PVRB4A
General	Processor	TI DaVinci Series DSP
	Operating System	Embedded LINUX
	Resource	Simultaneous remote monitoring, local recording and remote control
	Camera Shutter Speed	Manual/Auto (Adjustable, 1/3~1/10000)
Camera	Image Sensor	1/3" CMOS
	Resolution	2048(H)×1536(V),2304(H)*1296(V)
	Day/Night	Support
	Gain Control	Auto/Manual
	WB	Auto/Manual
Video	Video Compression	H.264 standard
Interface	I/O output	1 channel alarm output, 3 channel alarm input
	Data Interface	2 RS485 serial ports,

DH-ITC304-PVRB4A

		1 10/100M Ethernet port
	Lens Interface	M12 interface (2.8,3.6mm choosable)
Network	Network Functions	HTTP,TCP/IP,UDP,SMTP,FTP,DHCP,DNS,DDNS,PPPOE,NTP
Auxiliary	Video Detection	Support
	License Plate Recognition	Support
	Remote Control Function	Support, through web client setting and control
	Image Records Tamper-resistance	Support watermark tech
Environmental	Power Supply	DC 12V
	Power Consumption	<7W
	Operating Environment	Temperature -10°C~+60°C, humidity 10%~90%
	Dimension	113.6mm x 83mm
	Weight	550g

Dimensions (mm)



Dahua Technology Co., Ltd.

1199BinAn Road, Binjiang District, Hangzhou, China

Tel: +86-571-87688883

Fax: +86-571-87688815

Email: overseas@dahuatech.com

www.dahuatech.com

*Design and specifications are subject to change without notice.